

# Data sheet

SP064xxVGNF ASP084

Page 1/5

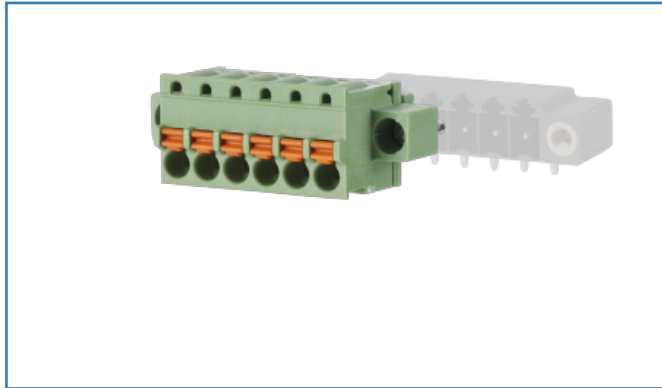
P/N  
ASP084xx

xx=number of poles

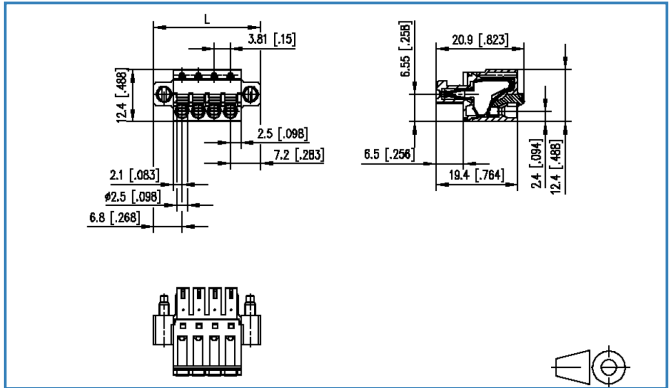
2019/10/30

Version: K

## Illustrations



Dimensional drawing





See enlarged drawings at the end of document

## Product specification

- spring clamp terminal block, pluggable
- centerline 3.81 mm, direction of connection vertical 0°
- color green, mounting flange
- push-button, wire entry uncodeable side parallel to plug direction

## Technical Data

General Data			
min. number of poles	2		
max. number of poles	24		
Insulating material class	CTI 600		
clearance/creepage dist.	1.9 mm		
protection category	IP20		
Min. insul. strip length	9 mm		
Overvoltage category	III	III	II
Pollution degree	3	2	2
Rated voltage	50 V	250 V	250 V
Rated test voltage	2.5 kV	2.5 kV	2.5 kV
Connection Data			
rat.wiring solid AWGmax	0.08 mm <sup>2</sup> - 1.5 mm <sup>2</sup> / AWG 28 - AWG 16		
rat.wiring strand.AWGmax	0.08 mm <sup>2</sup> - 1.5 mm <sup>2</sup> / AWG 28 - AWG 16		
Approvals			
 V / A / AWG	150 / 8 / 28 - 16		
approval UL - File No.	E121004		
 1.5 mm <sup>2</sup>	130 V / 2.5 kV / 9 A		
Material			
insulating material	PA66		
flammability class	V0		
spring material	Spring steel		
contact material	CuSn		
contact surface	Sn		
Glow-Wire Flammability GWFI	960 °C acc. to IEC 60695-2-12		
Glow-Wire Flammability GWIT	775 °C acc. to IEC 60695-2-13		
Climatic Data			
upper limit temperature	105 °C		
lower limit temperature	-40 °C		
General			
Tolerance	ISO 2768 -mH		

## Accessories

P/N	Designation
700025-01-9	700025

© 2019 METZ CONNECT - Technische Änderungen vorbehalten! Subject to modifications! Sous réserve de modifications techniques!



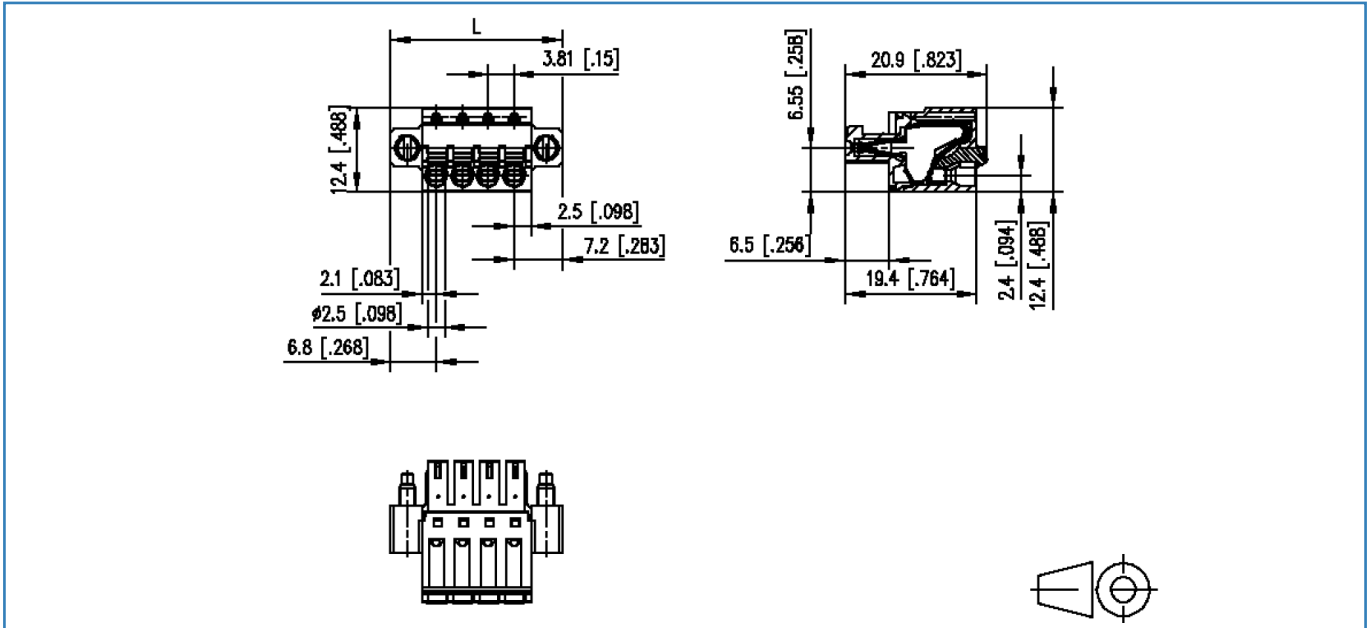
### Counterpart

P/N	Designation
313901	PR044xxHBBF Typ 390
313911	PR044xxVBBF Typ 391
313921	PT094xxHBBF Typ 392
313931	PT094xxVBBF Typ 393



**Illustrations**

Dimensional drawing



$L = (\text{pole size} - 1) \times \text{centerline} + 13.96 \text{ mm} [0.55]$

© 2019 METZ CONNECT - Technische Änderungen vorbehalten! Subject to modifications! Sous réserve de modifications techniques!

